

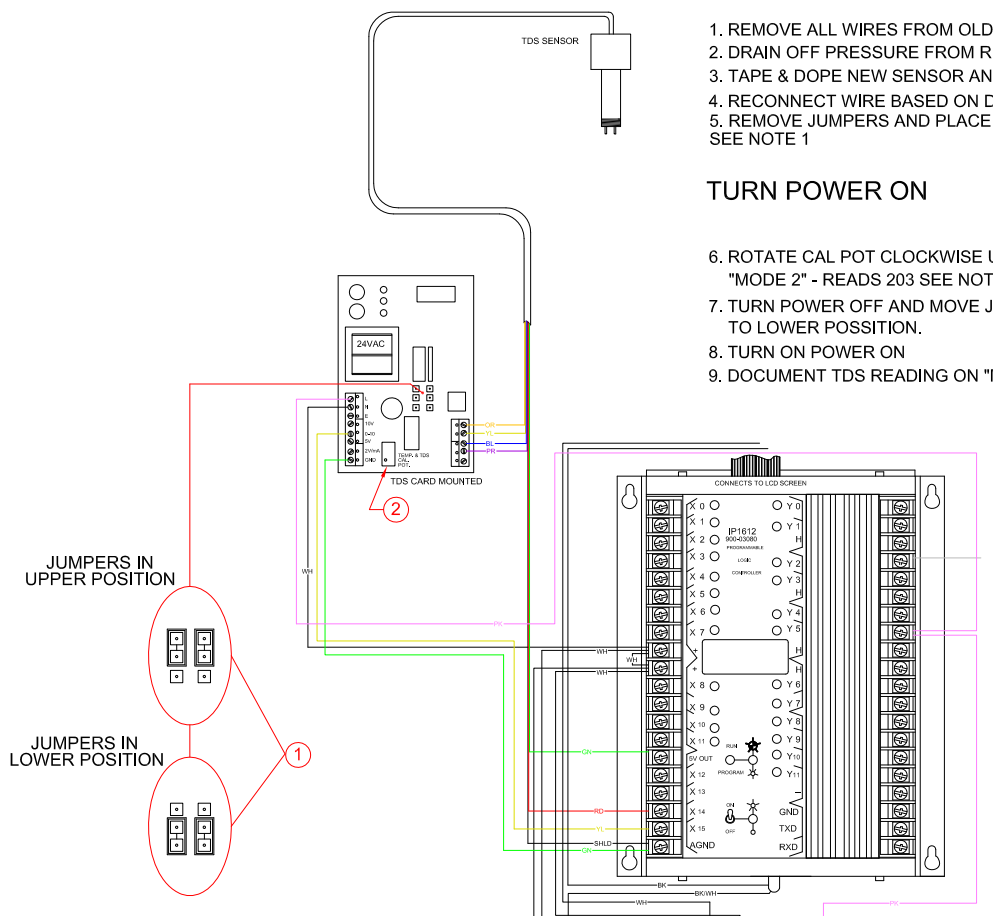
**INSTALL AND CAL NEW SENSOR:**

**IMPORTANT: TURN OFF POWER!**

1. REMOVE ALL WIRES FROM OLD TDS SENSOR AND PLC.
2. DRAIN OFF PRESSURE FROM R.O. THEN REMOVE SENSOR.
3. TAPE & DOPE NEW SENSOR AND RE-INSTALL
4. RECONNECT WIRE BASED ON DIAGRAM PROVIDED.
5. REMOVE JUMPERS AND PLACE IN UPPER POSITION. SEE NOTE 1

**TURN POWER ON**

6. ROTATE CAL POT CLOCKWISE UNTIL TDS - "MODE 2" - READS 203 SEE NOTE 2
7. TURN POWER OFF AND MOVE JUMPERS AND PLACE TO LOWER POSITION.
8. TURN ON POWER ON
9. DOCUMENT TDS READING ON "MODE 2"



**WIRE NOTATIONS:**

- BK = BLACK
- BL = BLUE
- GN = GREEN
- RD = RED
- YL = YELLOW
- WH = WHITE
- PR = PURPLE (VIOLET)
- PK = PINK
- BR = BROWN
- OR = ORANGE
- GR = GRAY

**TRACER WIRE SAMPLE**

**RD/WH = RED WITH WHITE TRACER**

This Drawing is the property of HURON VALLEY SALES and must be surrendered upon request. The information thereon may not be reproduced without the written permission of HURON VALLEY SALES.



**HURON VALLEY SALES**  
 6032 SCHOONER ST.  
 BELLEVILLE, MI. 48111  
 PHONE: (734) 944-5200  
 FAX: (734) 944-5800

**DRAWING TITLE:**  
 TDS CALIBRATION  
 INSTRUCTION SHEET  
 NEW INSTALLATION

**PROPAK**  
 ENERGY EFFICIENT HEATING

SCALE:  
Scaled

AUTHOR:  
B.W.

DATE:  
12-27-2012

FILE NUMBER:

HVS REFERENCE NUMBER:  
3695