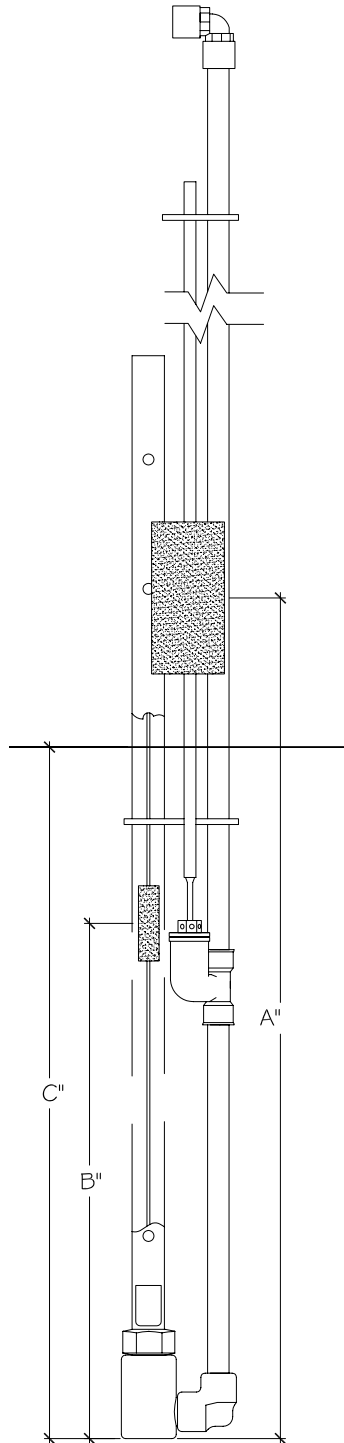


BRINE VALVE SETTINGS



MODEL	GRID HT	FLOAT SETTINGS	
		FILL A	DRAW B
	INCHES		
1FC120	16"	20	11.5
1FC150	16"	20	9.5
1FC200	16"	21	7.5
1FC240	16"	19	8.5
1FC300	16"	21	7.5
1FC450	24"	28	9.5
1FC600	16"	23	6.5
1FC750	24"	27	9.5
MODEL	GRID HT	FLOW SETTINGS	
	INCHES	FILL A	DRAW B
2FC120	16"	19	12.5
2FC150	16"	19	11.5
2FC200	24"	28	18.5
2FC240	24"	27	16.5
2FC300	24"	27	18.5
2FC450	24"	27	15.5
2FC600	16"	23	6.5
2FC750	24"	27	9.5
MODEL	GRID HT	FLOW SETTINGS	
	INCHES	FILL A	DRAW B
3FC120	16"	19	12.5
3FC150	16"	19	11.5
3FC200	24"	28	18.5
3FC240	24"	27	16.5
3FC300	24"	27	18.5
3FC450	24"	27	15.5
3FC600	16"	23	6.5
3FC750	24"	27	9.5
MODEL	GRID HT	FLOW SETTINGS	
	INCHES	FILL A	DRAW B
9F844	5"	11.5	6
9F948	8"	11.0	6
9F1044	8"	11.0	6
9F1054	8"	13.0	6
9F1248	8"	16.0	6
9F1354	8"	22.0	6
9F1465	5"	16.5	6
9F1665	5"	18.5	6

This Drawing is the property of HURON VALLEY SALES and must be surrendered upon request. The information thereon may not be reproduced without the written permission of HURON VALLEY SALES.



HURON VALLEY SALES 6032 SCHOONER ST. BELLEVILLE, MI. 48111 PHONE: (734) 944-5200 FAX: (734) 944-5800		DRAWING TITLE: BRINE VALVE SETTINGS				
SCALE: Scaled	AUTHOR: Y.M.	DATE: 8-22-2001	FILE NUMBER:	HVS REFERENCE NUMBER: 0183		