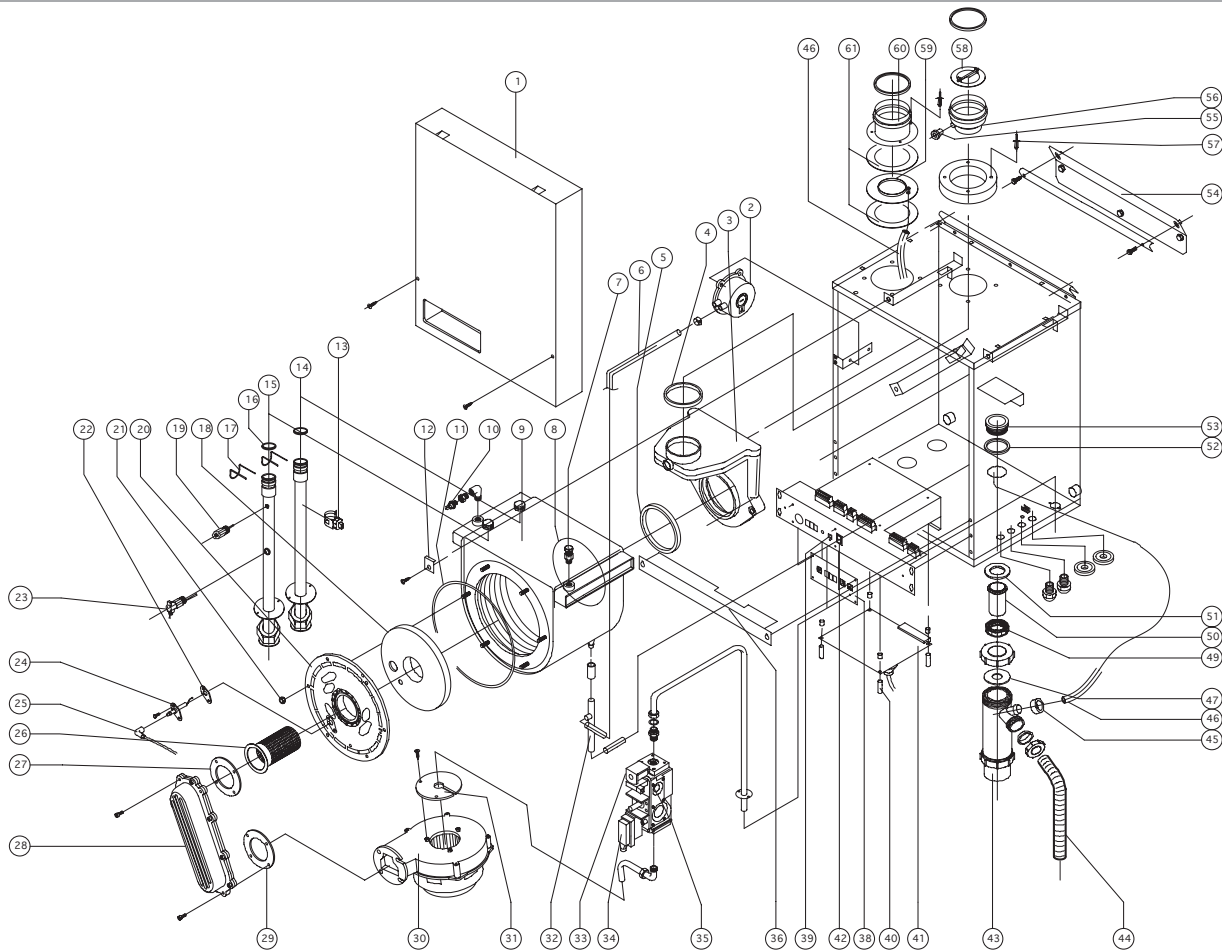


G. ProPak HW 79-199.1 & 199.8 PARTS BREAKDOWN



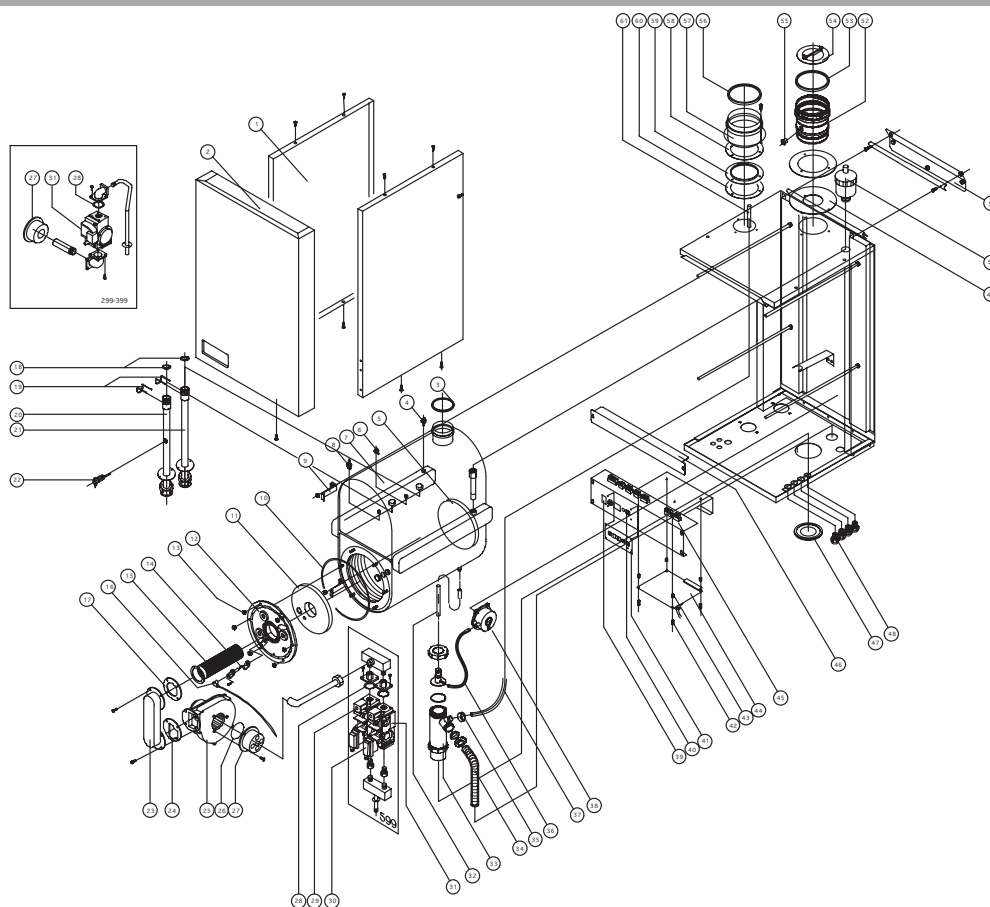
NO. ON DRAWING	PART DESCRIPTION	PART NUMBER
1	Front panel	JKR 74076
2	Pressure Switch	PRS 74326
3	Flue gas collector	MSC 74081
4	Seal ring 60mm	GKT 74022
5	Seal ring flue gas collector-heat exchanger	GKT 74021
6	Hose pressure switch	MSC 74048
7	Hand air vent	MSC 74021
8	Burner room insulation (target wall)	FIB 74098
9	Heat Exchanger	C/F
10a	High limit thermostat 195°F	HLC 74066
10b	High limit thermostat 225°F	HLC 74274
11	Gasket burner door - heat exchanger	GKT 74035
12	Heat Exchanger Clamps	HEX 74102
13	Sensor Clamp 18mm	TST 74395
14	Inlet Tube Assembly	C/F
15	Outlet Tube Assembly	C/F
16	O-Ring Quick Connect	GKT 74027
17	Clip Quick Connect (specify copper or stainless arms)	C/F
18	Insulation burner door	FIB 74093
19	Inlet / Outlet sensors NTC	TST 74287
20	Equipped burner door	BNR 74056
21	Nut with flange 6ea. M6 x 0.1 (requires 10mm socket)	MSC 74012
22,24	Electrode Assembly	PLT 74058

G. ProPak HW 79-199.1 & 199.8 PARTS BREAKDOWN (CONTINUED)

NO. ON DRAWING	PART DESCRIPTION	PART NUMBER
23	Flow Switch	C/F
25	Ignition cable with plug	WRE 74064
26	Burner	C/F
27	Gasket burner & gas / air inlet pipe	GKT 74029
28	Gas / air mixing pipe fan to burner	BNR 74018
29	Gasket gas / air inlet pipe & fan	C/F
30	Fan RG 128	C/F
31	Gas / air mixing plate	C/F
32	Condensate Drain Tube (with connection for hose pressure switch)	CDK 74100
33	Coil EV1 gas valve	VAL 74347
34	Coil EV2 gas valve	VAL 74348
35	Gas valve	VAL 74014
36	Coverplate boiler control	C/F
38	Display-unit DU 914 incl. cable	RLY 74061
39	Rubber connector cover	MSC 74052
40	Distance Nut	C/F
41	Boiler control FMT 914	RLY 74062
42	Switch On / Off	SWT 74144
43	Condensate Drain Assembly	C/F
44	Condensate Drain Hose	CDK 74038 B
45	Rubber Adapter (air inlet condense hose)	CDK 74074
46	Condense Hose	CDK 74001
47	Seal inside trap	CDK 74041
49	Swivel Nut	MSC 74108
50	Connector	CDK 74132
51	Gasket	GKT 74133
52	Gasket	GKT 74037
53	Reducing Ring	MSC 74075
54	Wall Bracket	JKR 74014
55	Rubber Stop	GKT 74092
56	Flue Gas Connection	C/F
57	Spread Nut	MSC 74093
58	Non-Return Damper	VAL 74096
59	Condense Flange w/Nipple	CDK 74017
60	Inlet Air Connection	C/F
61	Condense Flange Gasket	GKT 74079
	Immersion Style 1/2" NPT w/4" stem with well	TST 71010
	Strap-on 2" - 5" pipe	TST 71020
	Outdoor sensor style - weatherproof enclosure	TST 71030
	Sensor Tank 1/8" NPT with 5' lead and 1" probe	TST 76071
	Sensor Tank - 7' lead and 2' x 3/16" probe for well	TST 76110
	Sensor Tank 1/8" NPT with 5' lead and 3" probe	TST 76010
	Circuit Board Cascade Unit	RLY 74300
	Circuit Board Open Therm (Communications)	RLY 74356
	3.15A Fuse	FUS 74315
	EPDM Gasket for arm connection	GKT 74129 B
	Heat Exchanger Maintenance Kit (10mm)	MSC 74208
	Heat Exchanger Maintenance Kit (16mm)	MSC 74209

C/F=Consult Factory

H. ProPak HW 299-599 PARTS BREAKDOWN



NO. ON DRAWING	PART DESCRIPTION	PART NO. 299	PART NO. 399	PART NO. 599
1	Side panel	JKR 74071	JKR 74071	JKR 74072
2	Front panel	JKR 74073	JKR 74073	JKR 74074
3, 53, 56	Seal ring 115mm / 130mm	GKT 74031	GKT 74031	GKT 74025
4, 8	Inlet / Outlet Sensor NTC	TST 74287 S	TST 74287 S	TST 74287 S
5	Burner room insulation (target wall)	C/F	C/F	C/F
6a	High limit thermostat 195°F	HLC 74066	HLC 74066	HLC 74066
6b	High limit thermostat 225°F	HLC 74274	HLC 74274	HLC 74274
7	Heat Exchanger	C/F	C/F	C/F
10	Gasket burner door - heat exchanger	GKT 74035	GKT 74035	GKT 74035
11	Insulation burner door	FIB 74093	FIB 74093	FIB 74093
12	Equipped burner door incl. gasket & cord	BNR 74056	BNR 74056	BNR 74056
13	Nut with flange 6 ea. M6 x 0.1 (requires 10mm socket)	MSC 74012	MSC 74012	MSC 74012
14	Electrode Assembly	PLT 74058	PLT 74058	PLT 74058
15	Burner	C/F	C/F	C/F
16	Ignition cable with plug	WRE 74064	WRE 74064	WRE 74064
17	Gasket burner & gas / air inlet pipe	GKT 74029	GKT 74029	GKT 74029
18	O-Ring Quick Connect	GKT 74032	GKT 74033	GKT 74034
19	Clip Quick Connect	MSC 74022	MSC 74022	MSC 74123
20	Outlet Tube Assembly	C/F	C/F	C/F
21	Inlet Tube Assembly	C/F	C/F	C/F
22	Flow Switch	C/F	C/F	C/F
23	Air / gas mixing pipe - fan to burner	BNR 74018	BNR 74018	BNR 74016

MAINTENANCE

H. ProPak HW 299-599 PARTS BREAKDOWN (CONTINUED)

NO. ON DRAWING	PART DESCRIPTION	PART NO. 299	PART NO. 399	PART NO. 599
24	Gasket air / gas inlet pipe & fan	GKT 74049	GKT 74049	GKT 74039
25	Fan RG 148 - 175, including "O" ring	FAN 74069	FAN 74069	FAN 74070
26	O-ring mixing box - fan	GKT 74007	GKT 74007	C/F
27	Air / gas mixing box	FAN 74058	FAN 74058	FAN 74061
29	Coil EV1 gas valve	VAL 74348	VAL 74348	VAL 74348
30	Coil EV gas valve	VAL 74347	VAL 74347	VAL 74347
31	Gas valve, including seal ring	VAL 74059	VAL 74059	VAL 74060
32	Condensate Drain Tube	CDK 74044	CDK 74044	CDK 74029
33	Condensate drain assembly	CDK 74097	CDK 74097	CDK 74097
34	Condensate drain hose	CDK 74038 B	CDK 74038 B	CDK 74038 B
35	Rubber Adaptor for air inlet condense hose	CDK 74074	CDK 74074	CDK 74074
36	Hose Pressure switch	MSC 74055	MSC 74055	MSC 74055
37, 61	Condense Hose	CDK 74001	CDK 74001	CDK 74001
38	Pressure Switch	PRS 74326	PRS 74326	PRS 74326
39	Switch On / Off	SWT 74144	SWT 74144	SWT 74144
40	Rubber connector cover	MSC 74052	MSC 74052	MSC 74052
41	Display-unit DU 914 including cable	RLY 74061	RLY 74061	RLY 74061
42	Distance Nut (M3 X 25mm)	MSC 74031	MSC 74031	MSC 74031
43	Distance Nut (M3 x 8mm)	MSC 74032	MSC 74032	MSC 74032
44	Boiler control (PCB) - FMT 914	RLY 74062	RLY 74062	RLY 74062
45	Display Holder - 28	JKR 74096	JKR 74096	JKR 74096
46	Cover plate boiler control	JKR 74046	JKR 74046	JKR 74046
47	Tube Gland Trap	GKT 74044	GKT 74044	GKT 74044
48	Strain Relief 8mm	MSC 74064	MSC 74064	MSC 74064
49	Silicon Gasket Flue	GKT 74081	GKT 74081	C/F
50	Automatic Air Vent	HYD 72400	HYD 72400	HYD 72400
52	Flue Gas Connection	MSC 74046	MSC 74046	MSC 74148
54	Non return damper	VAL 74097	VAL 74097	VAL 74098
55	Rubber Stop	GKT 74092	GKT 74092	GKT 74092
57	Air inlet connection	C/F	C/F	MSC 74049
58, 60	Condense flange gasket - air inlet	GKT 74041	GKT 74041	GKT 74041
59	Condense flange w/Nipple	CDK 74018	CDK 74018	CDK 74009
	Thermistor Immersion style 1/2" NPT w/4" stem with well	TST 71010	TST 71010	TST 71010
	Thermistor Strap-on 2" - 5" pipe	TST 71020	TST 71020	TST 71020
	Thermistor Outdoor sensor style - weatherproof enclosure	TST 71030	TST 71030	TST 71030
	Thermistor Sensor Tank 1/8" NPT with 5' lead and 1" probe	TST 76071	TST 76071	TST 76071
	Thermistor Sensor Tank - 7' lead and 2" x 3/16" probe for well	TST 76110	TST 76110	TST 76110
	Thermistor Sensor Tank 1/8" NPT with 5' lead and 3" probe	TST 76010	TST 76010	TST 76010
	Circuit Board Cascade Unit (not shown)	RLY74300	RLY74300	RLY74300
	Circuit Board Open Therm (not shown)	RLY 74356	RLY 74356	RLY 74356
	3.15A Fuse	FUS 74315	FUS 74315	FUS 74315
	EPDM Gasket for arm connection	GKT 74299 B	GKT 74399 B	GKT 74399 B
	Heat Exchanger Maintenance Kit (10mm)	MSC 74208	MSC 74208	MSC 74208
	Heat Exchanger Maintenance Kit (16mm)	MSC 74209	MSC 74209	MSC 74209